

- 1. antenna
- 2. diode modulator
- 3. capacitor
- 4. earphones
- 5. inductor

$$f_r = \frac{1}{2\pi\sqrt{LC}}$$



Figure 1 Galena crystal circa 1910



Figure 2 Galena Homebrew with adj link

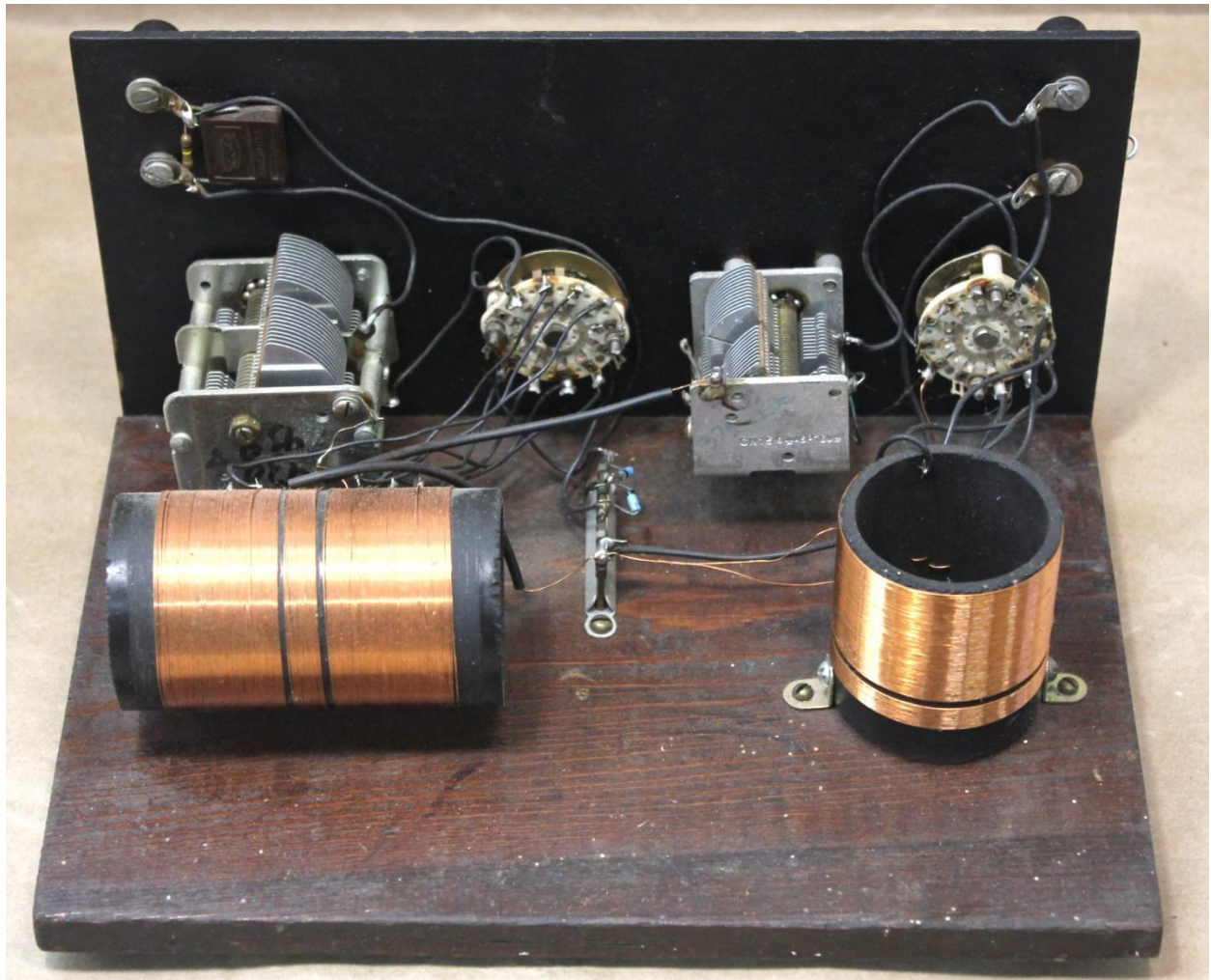


Figure 3 double tuned homebrew germanium

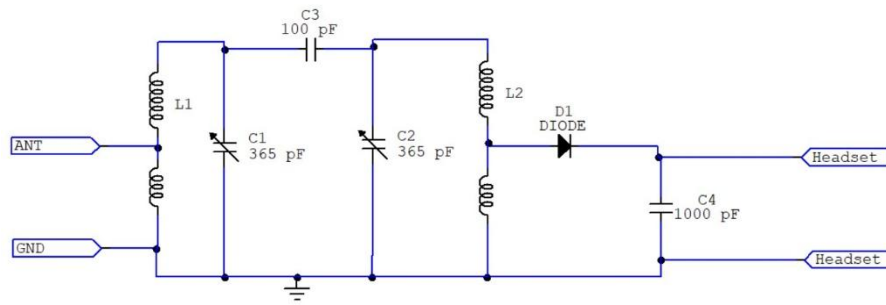


Figure 4 Schematic double tuned

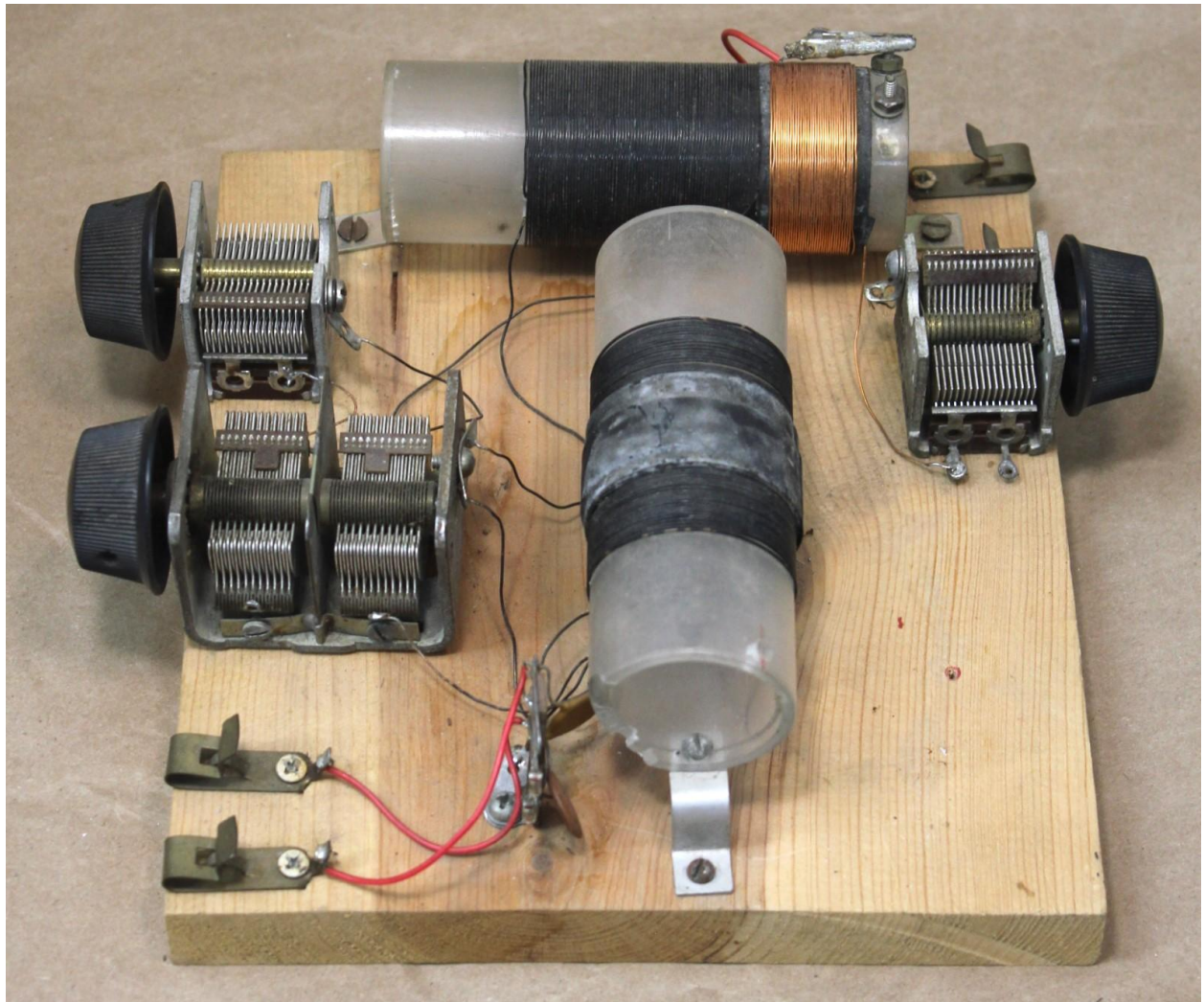


Figure 5 double tuned germanium